

Applicable Model

E18

Drawing Title

Intercom Panel

Drawing Unit

mm

Drawing Scale

Not to scale

**DRAFT
SUBJECT TO
CHANGE**

Last Revised

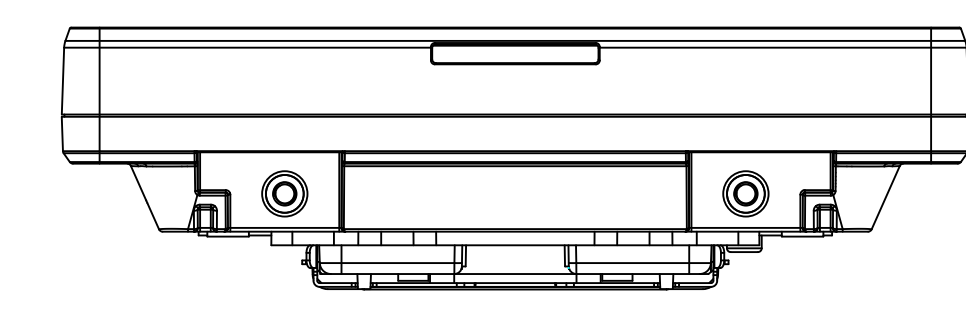
Jul 06 ,2023

Drawing Version

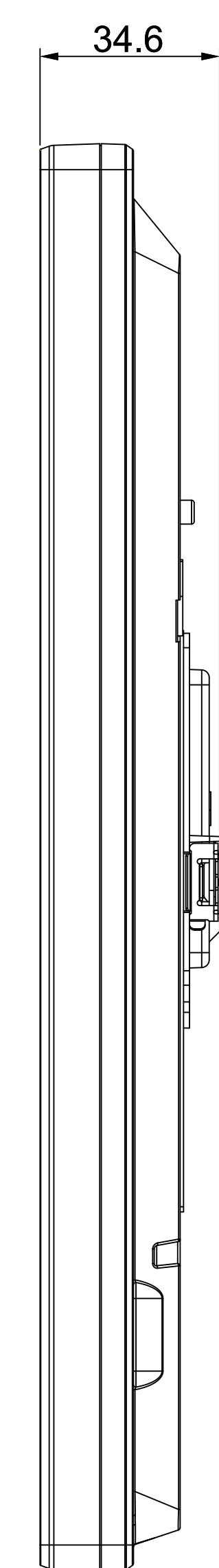
V1.0

Page

1 of 5

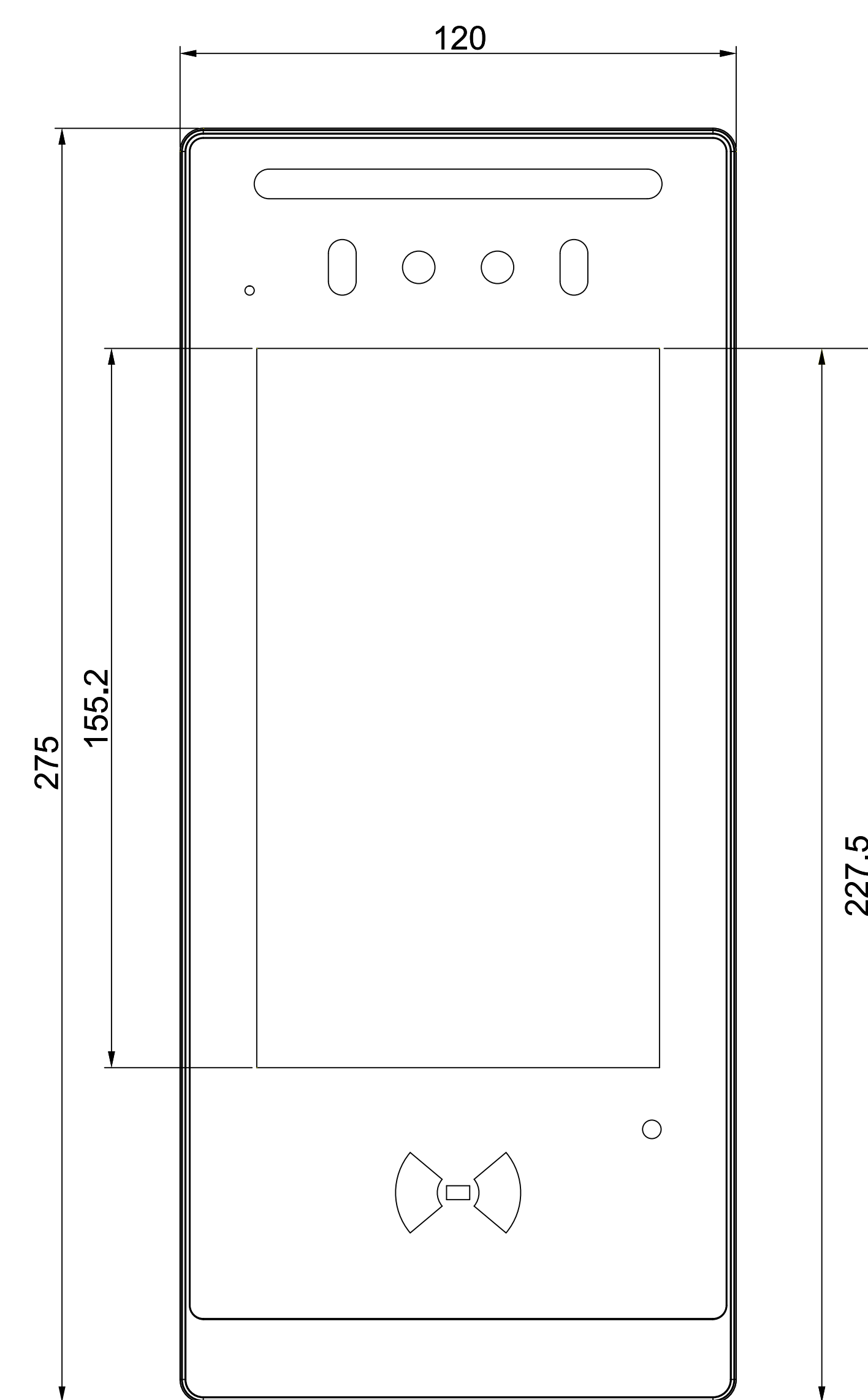


6 **BOTTOM VIEW**

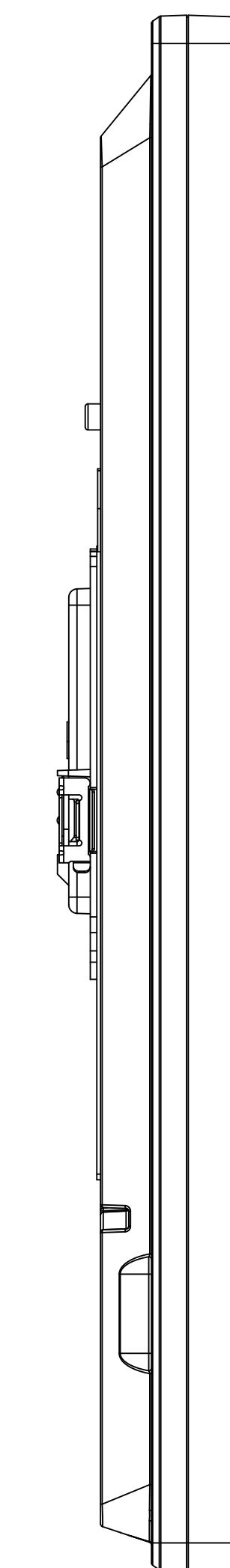


2 **RIGHT VIEW**

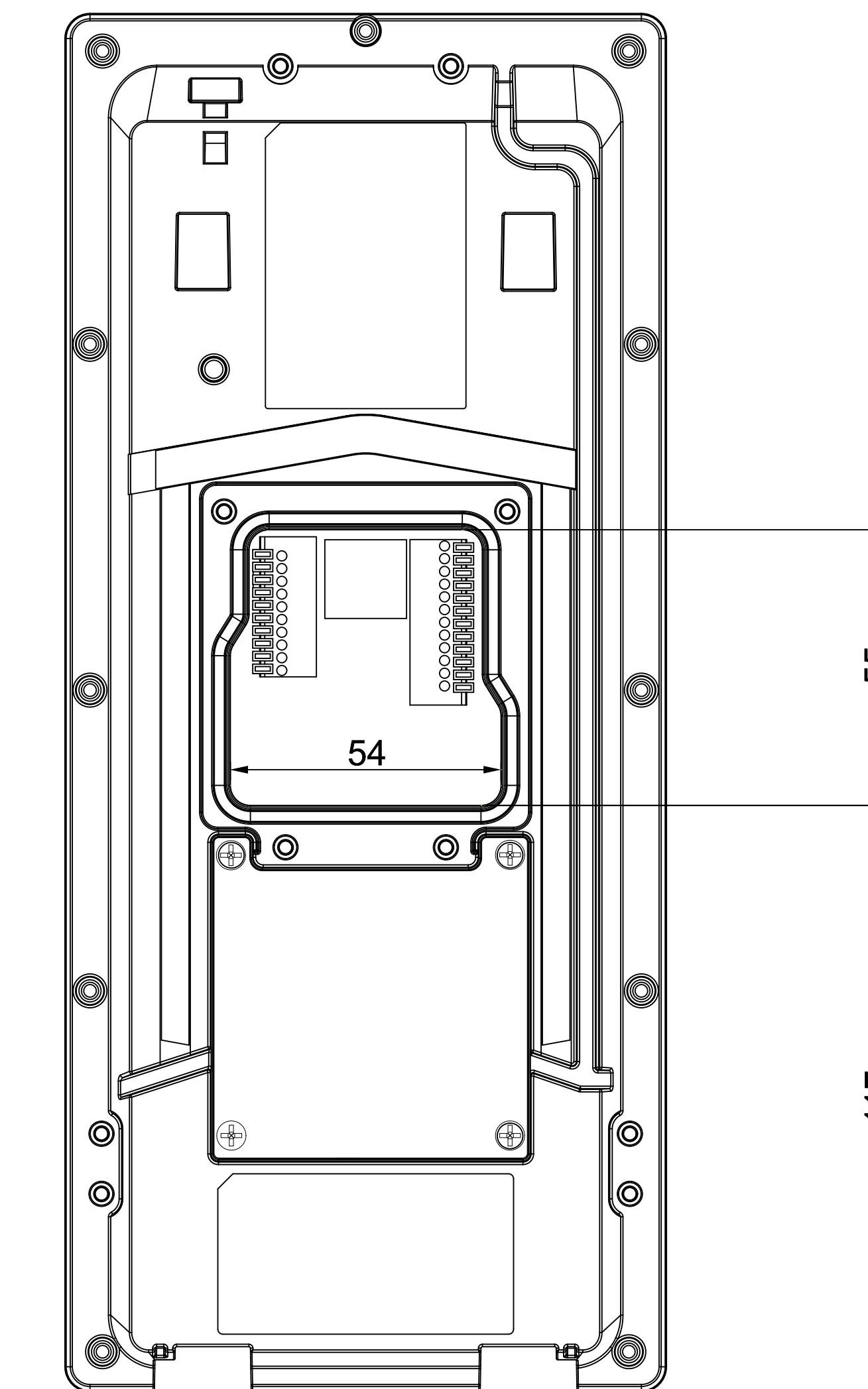
2



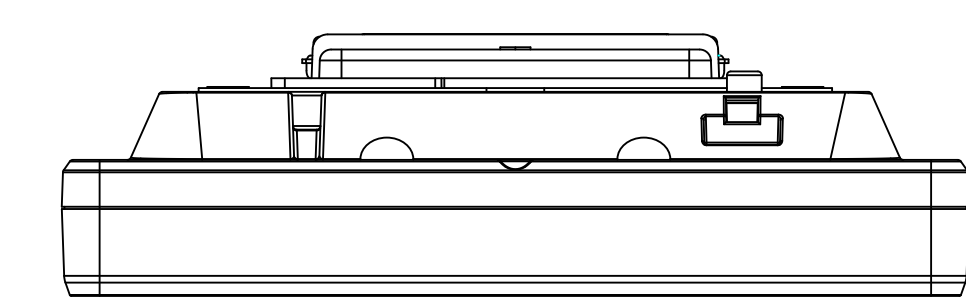
1 **FRONT VIEW**



3 **LEFT VIEW**



4 **BACK VIEW**



5 **TOP VIEW**

Applicable Model

E18

Drawing Title

Wall Mounting Bracket

Drawing Unit

mm

Drawing Scale

Not to scale

**DRAFT
SUBJECT TO
CHANGE**

Last Revised

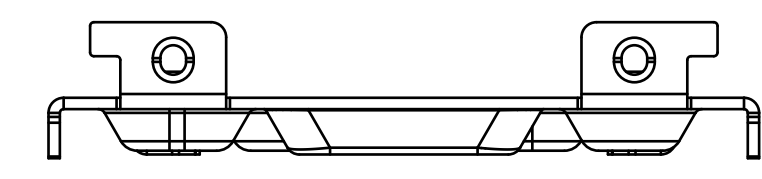
Jul 06 ,2023

Drawing Version

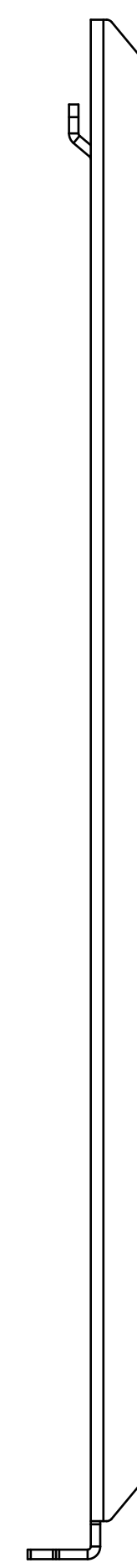
V1.0

Page

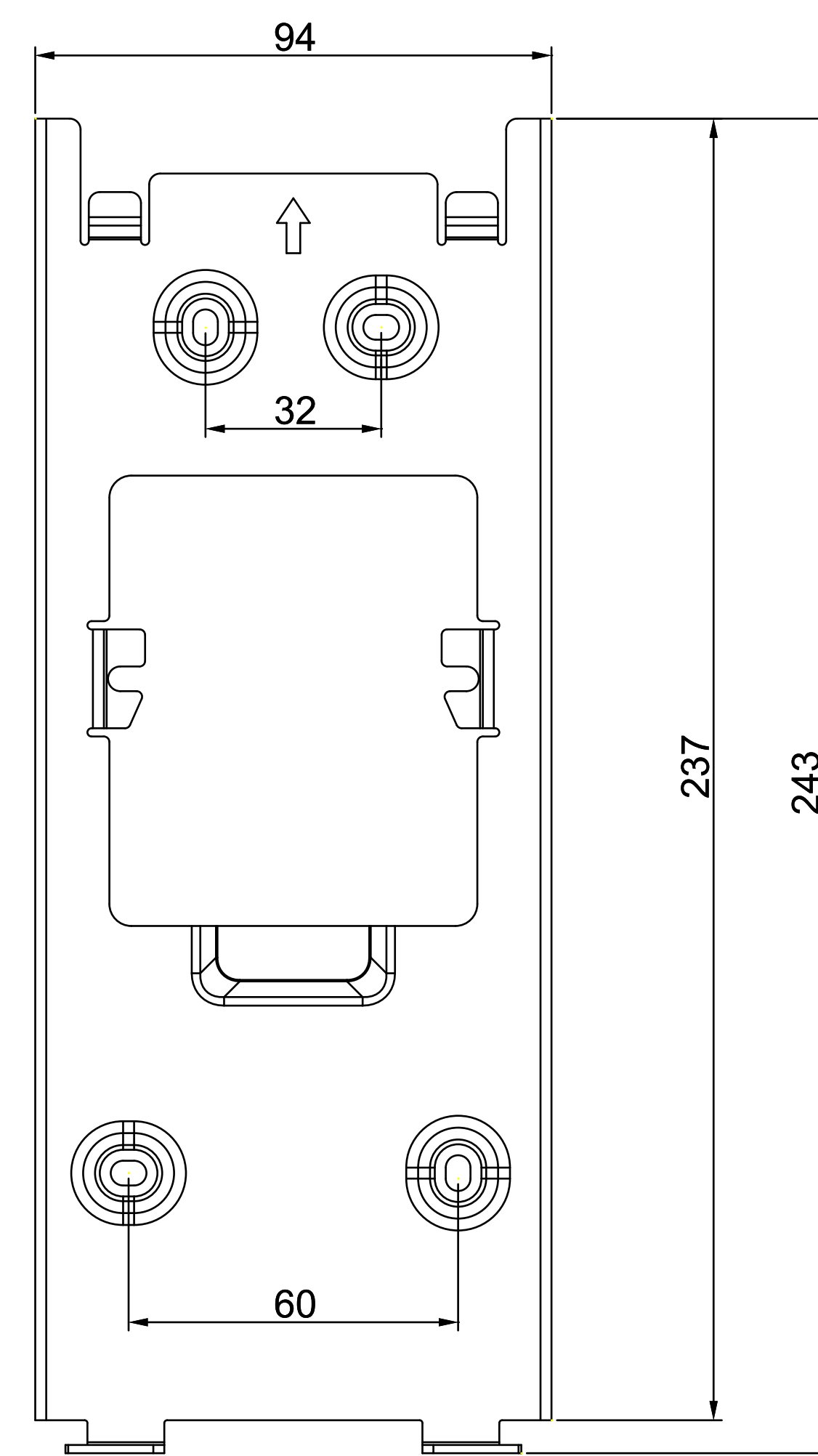
2 of 5



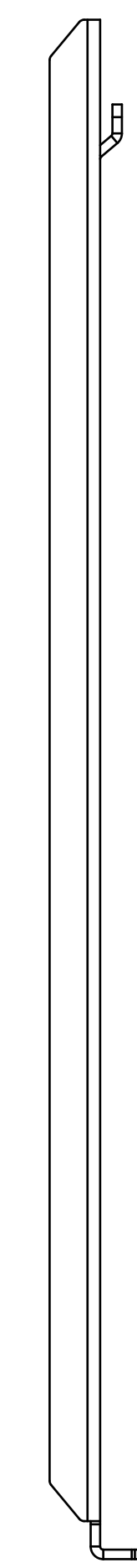
6 **BOTTOM VIEW**



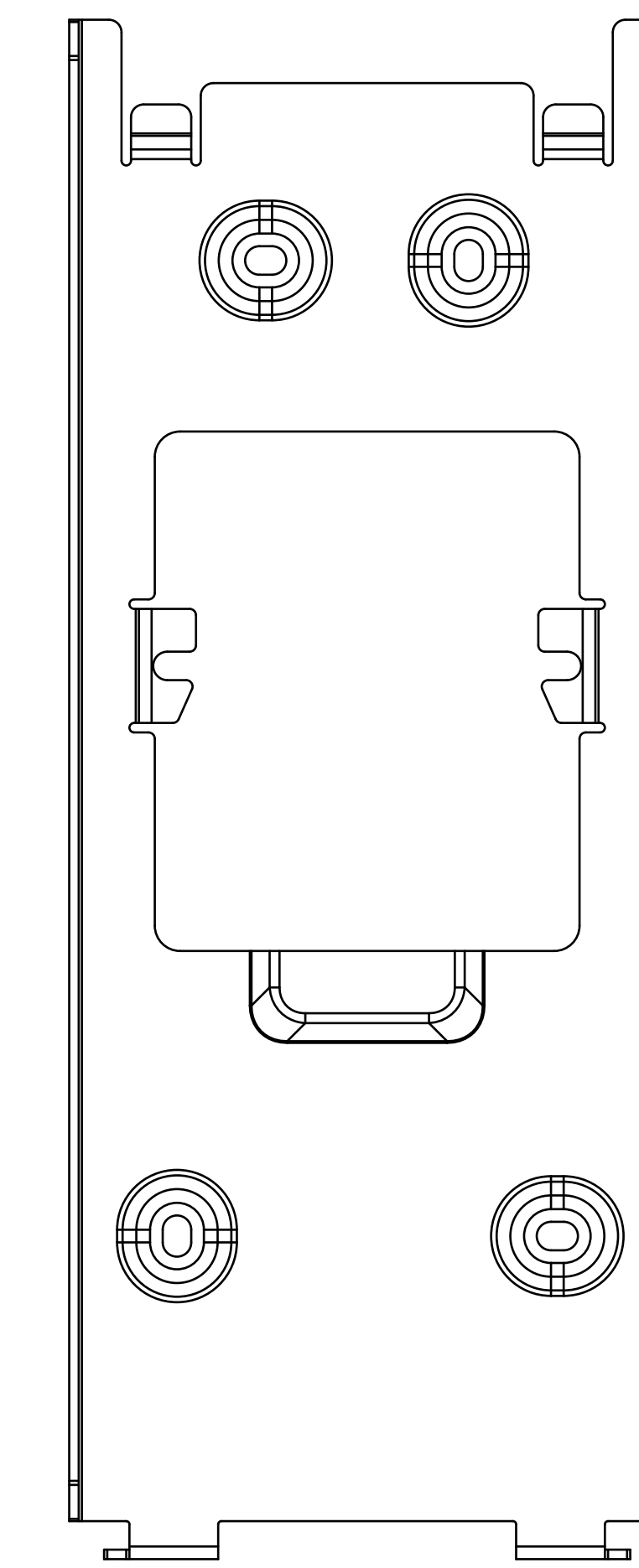
2 **RIGHT VIEW**



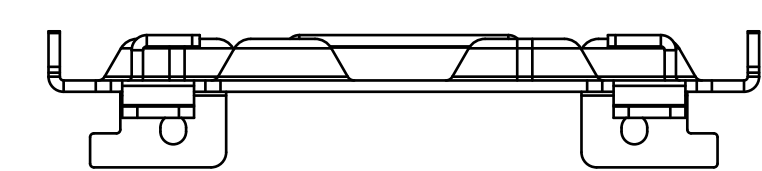
1 **FRONT VIEW**



3 **LEFT VIEW**



4 **BACK VIEW**



5 **TOP VIEW**

Applicable Model

E18

Drawing Title

Placement

Drawing Unit

mm

Drawing Scale

Not to scale

**DRAFT
SUBJECT TO
CHANGE**

Last Revised

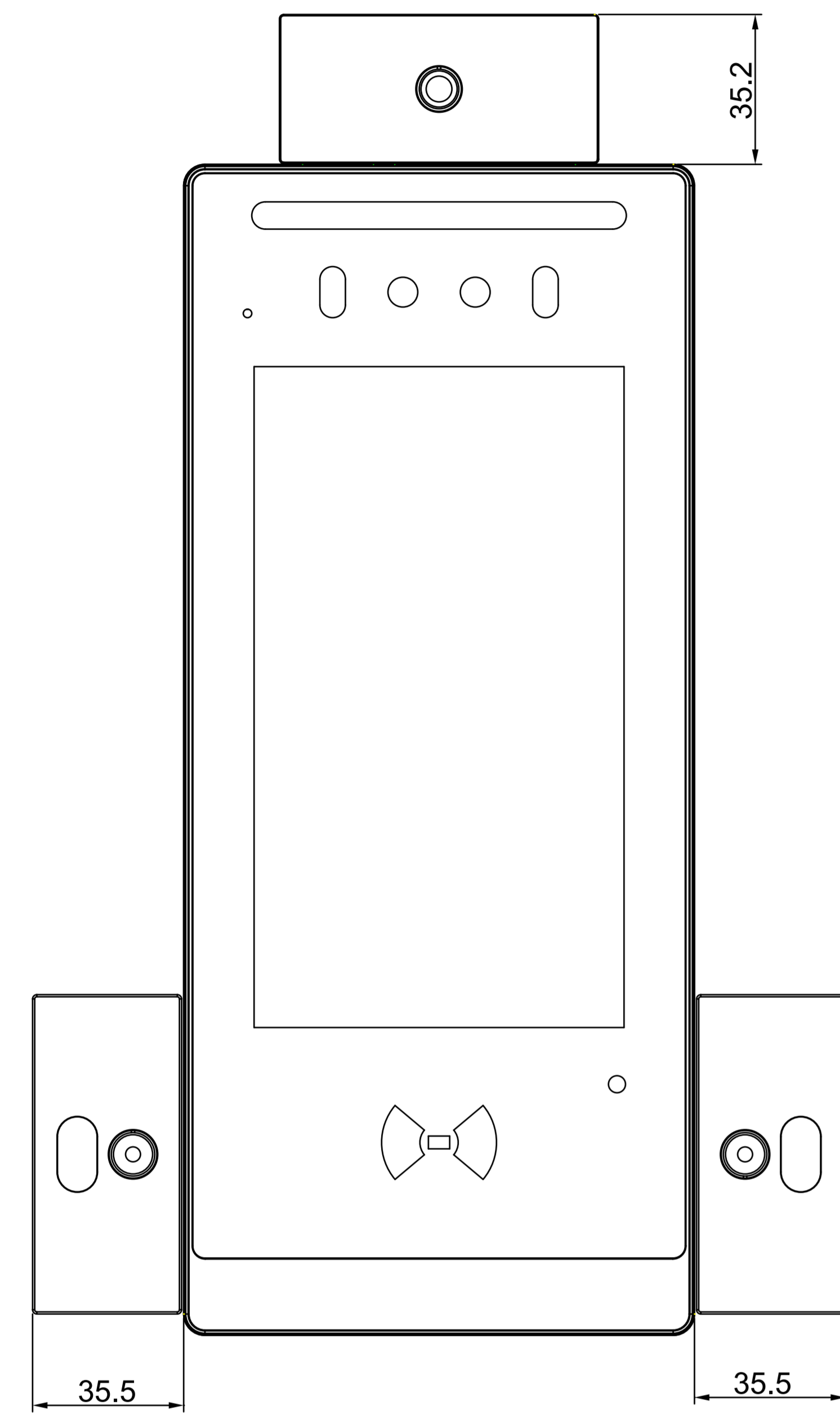
Jul 06 ,2023

Drawing Version

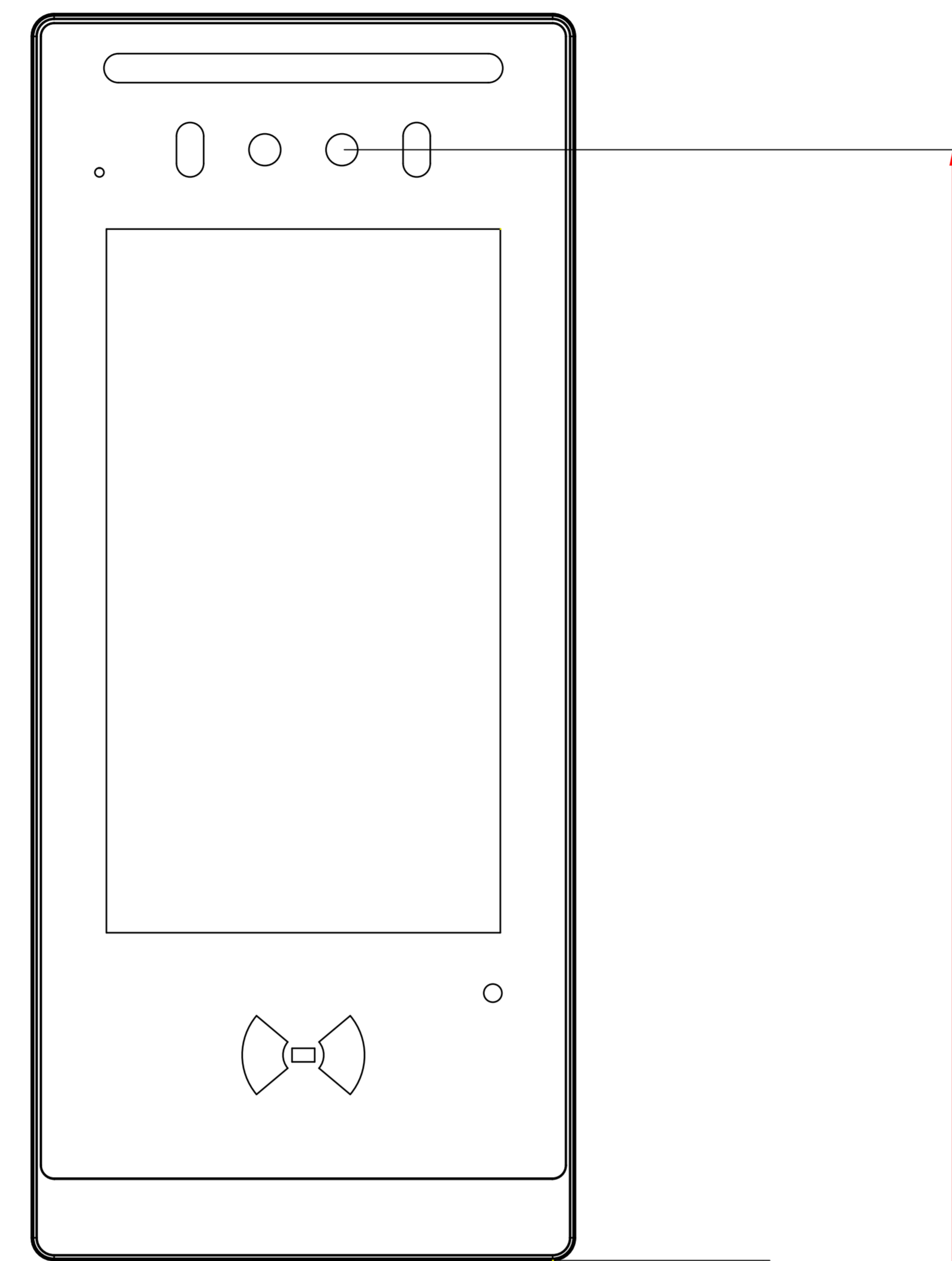
V1.0

Page

3 of 5



① INTERCOM PANEL FRONT VIEW

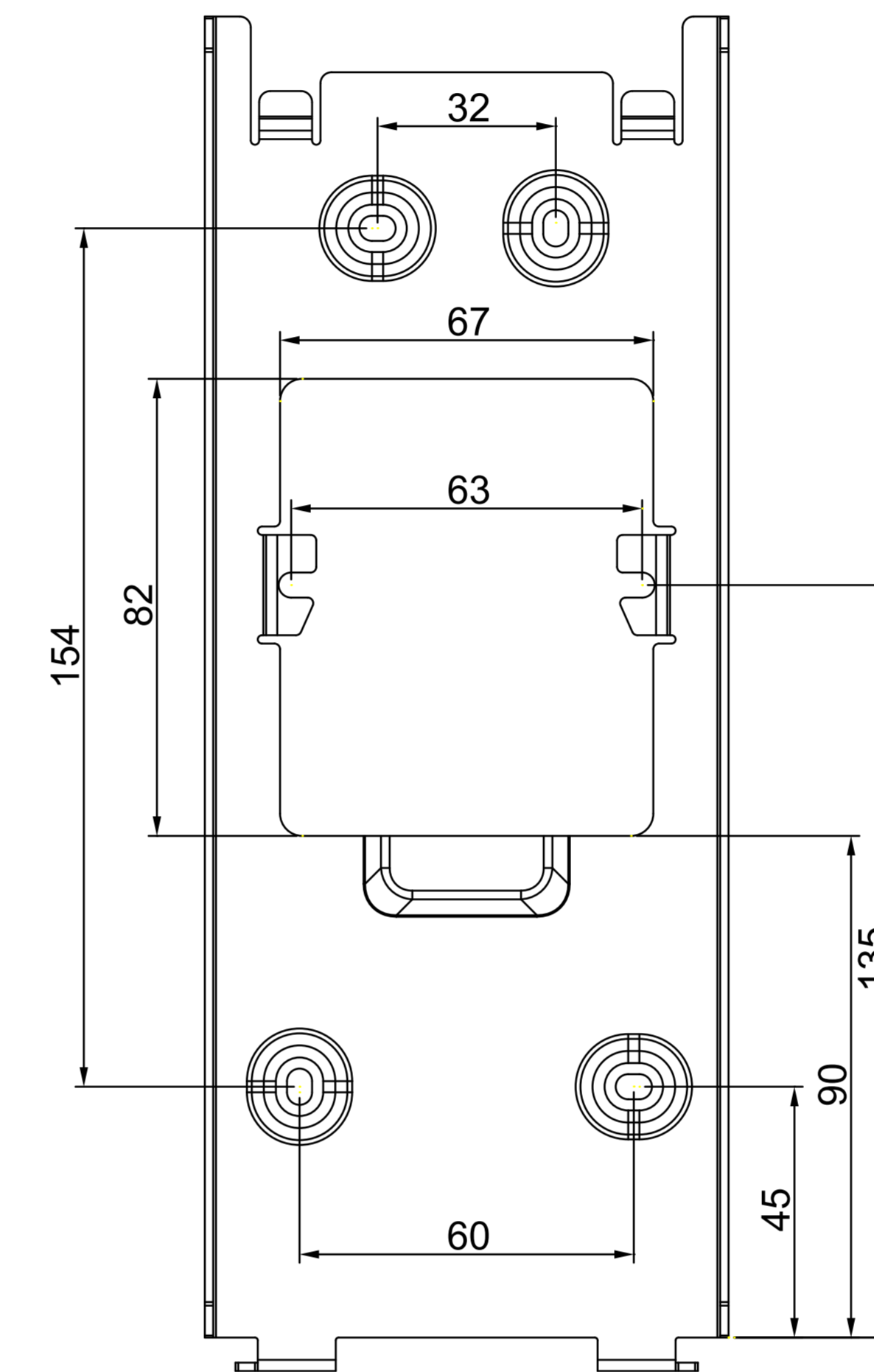


② INTERCOM PANEL FRONT VIEW

1255mm TO BOTTON OF PANEL

1500mm TO CENTER OF CAMERA

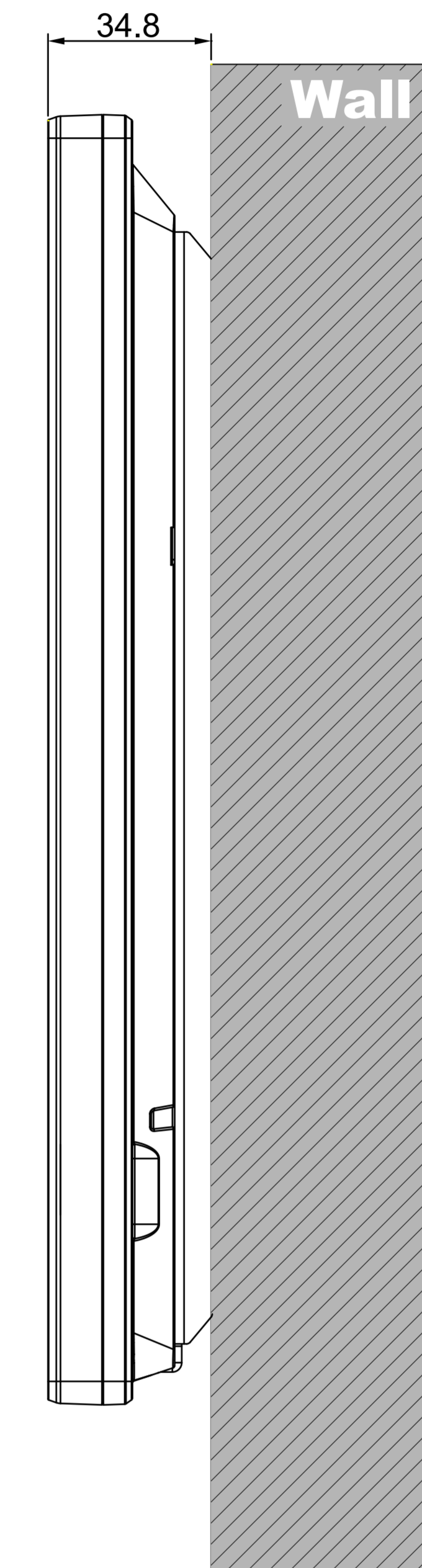
GROUND



③ FRONT VIEW:
WALL MOUNTING
BRACKET PLACEMENT

1268mm TO BOTTOM OF BRACKET

GROUND



④ SIDE VIEW:INTERCOM ON WALL

Applicable Model

E18

Drawing Title

On-Wall Mounting
Rain Cover

Drawing Unit

mm

Drawing Scale

Not to scale

**DRAFT
SUBJECT TO
CHANGE**

Last Revised

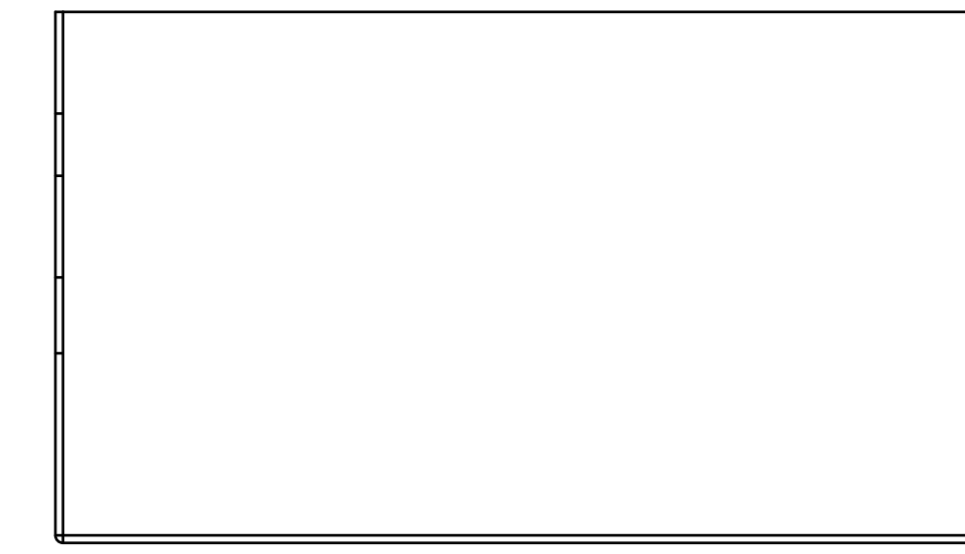
Jul 06 ,2023

Drawing Version

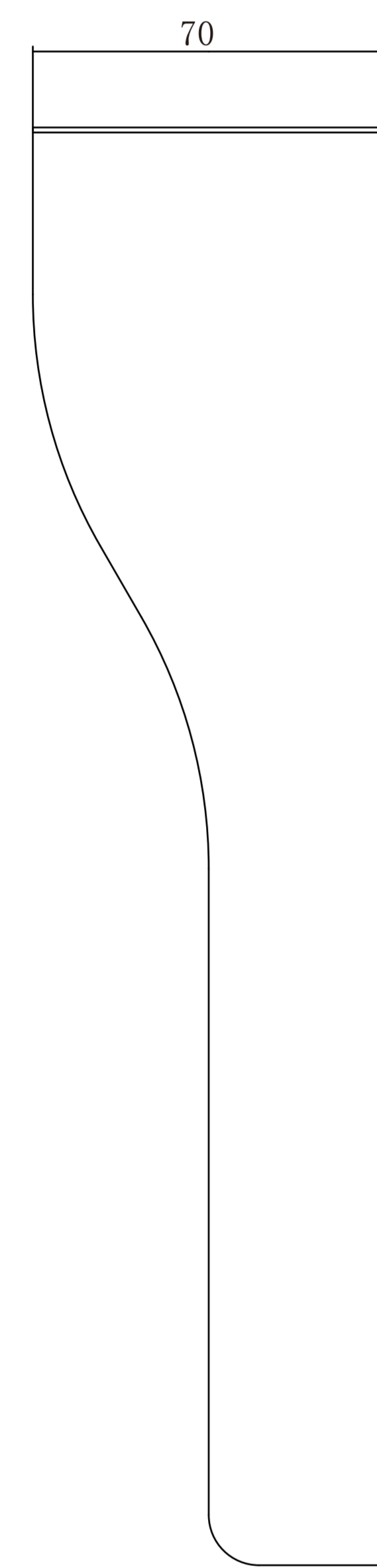
V1.0

Page

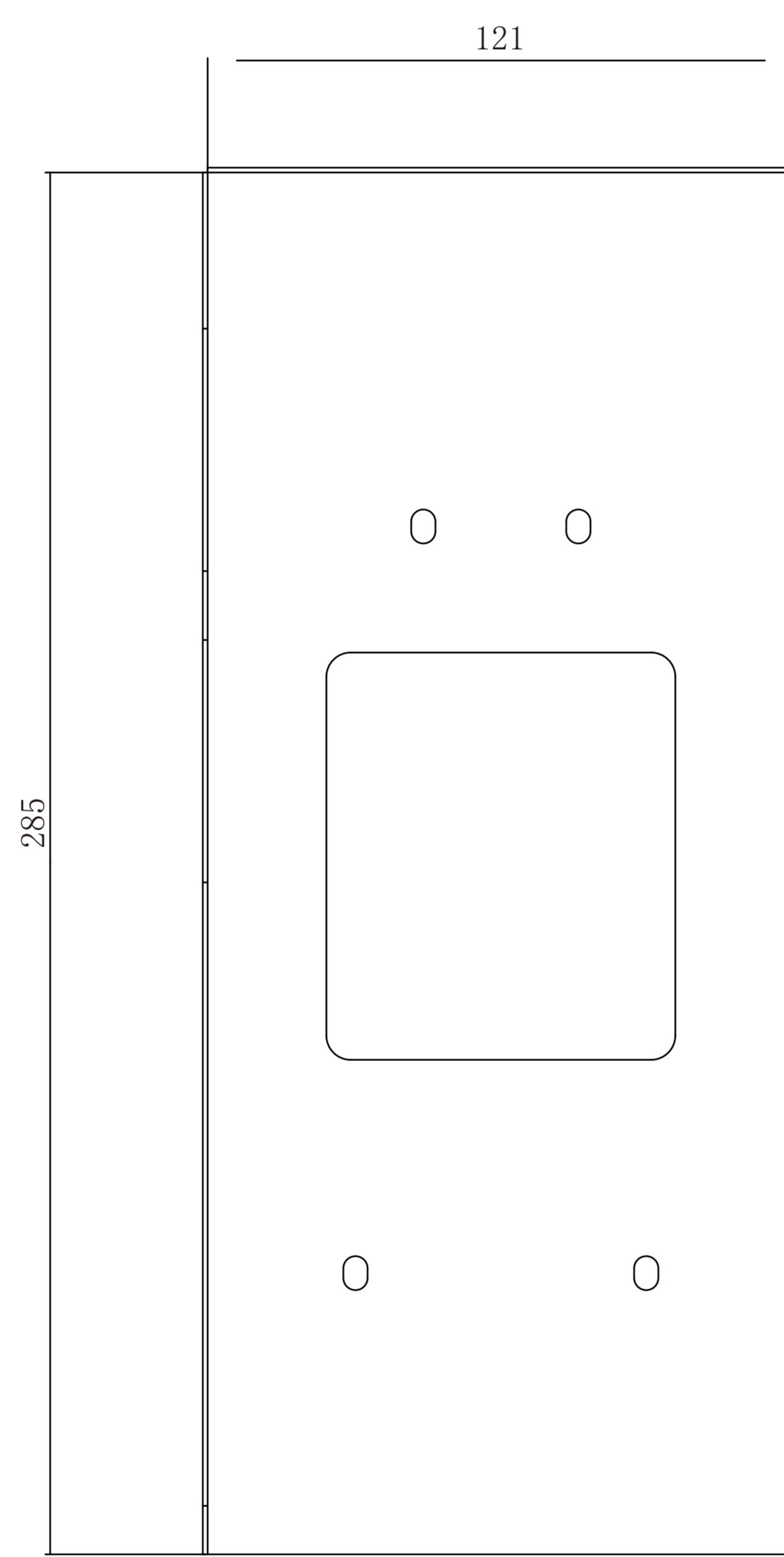
4 of 5



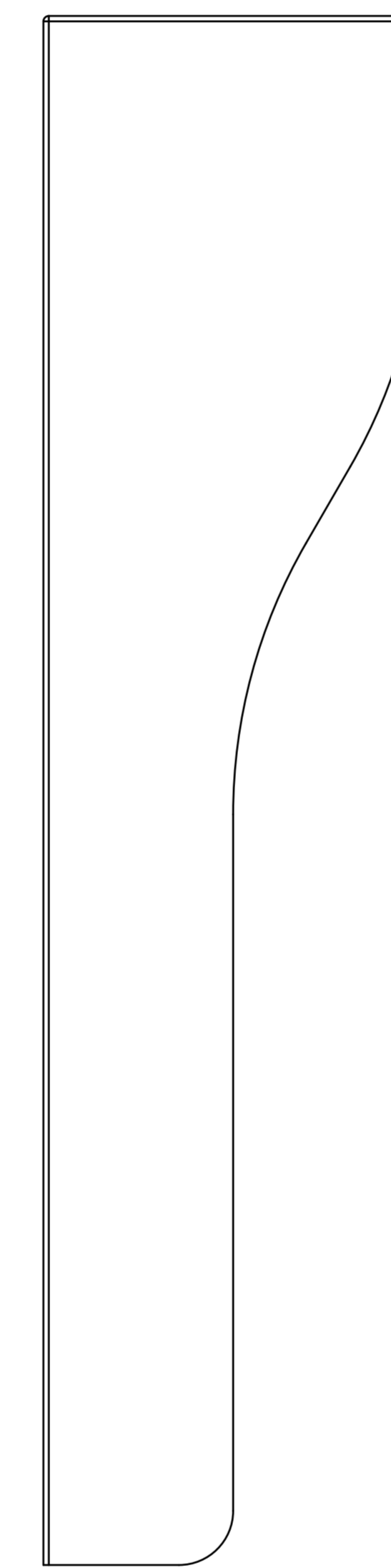
⑥ **BOTTOM VIEW**



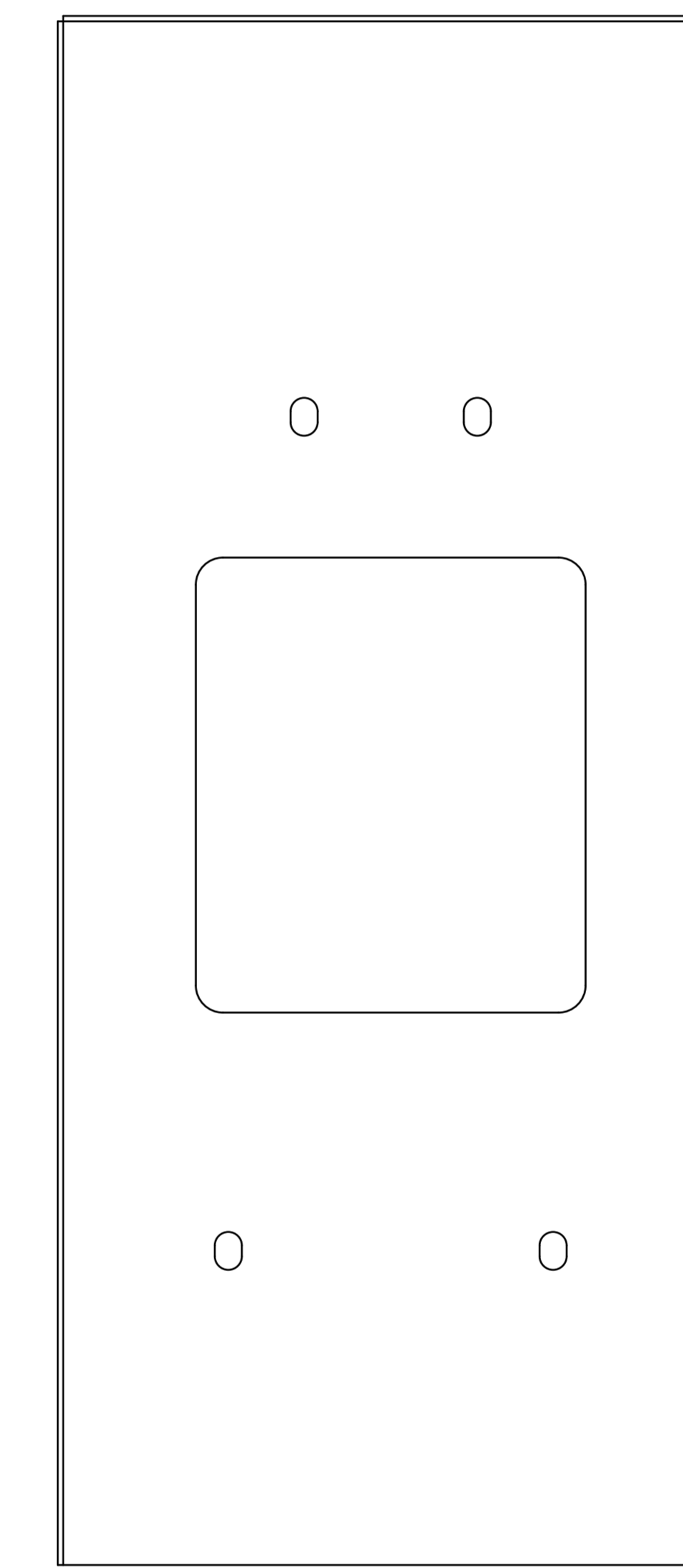
② **RIGHT VIEW**



① **FRONT VIEW**



③ **LEFT VIEW**



④ **BACK VIEW**



⑤ **TOP VIEW**

Applicable Model
E18

Drawing Title
Placement

Drawing Unit
mm

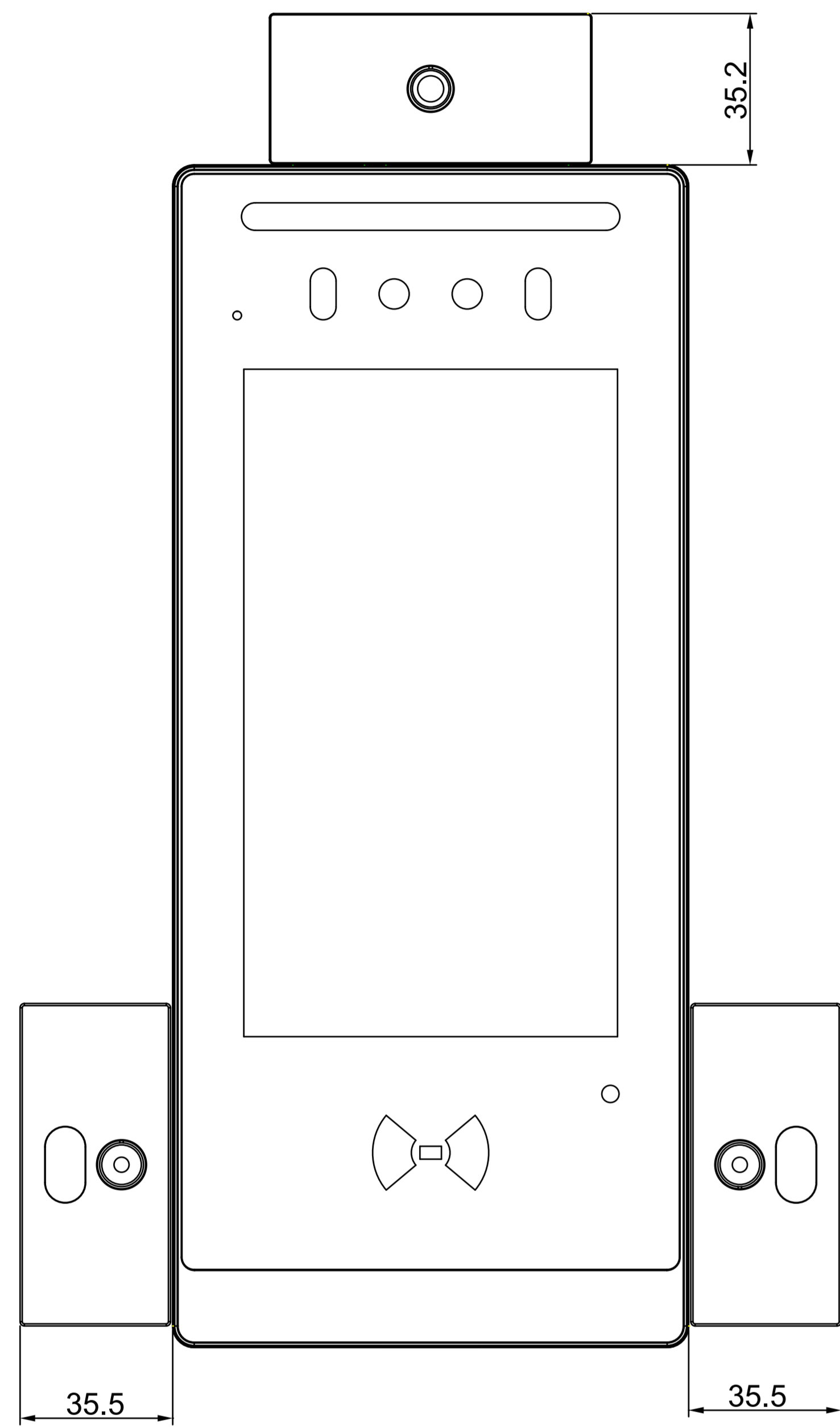
Drawing Scale
Not to scale

DRAFT
SUBJECT TO
CHANGE

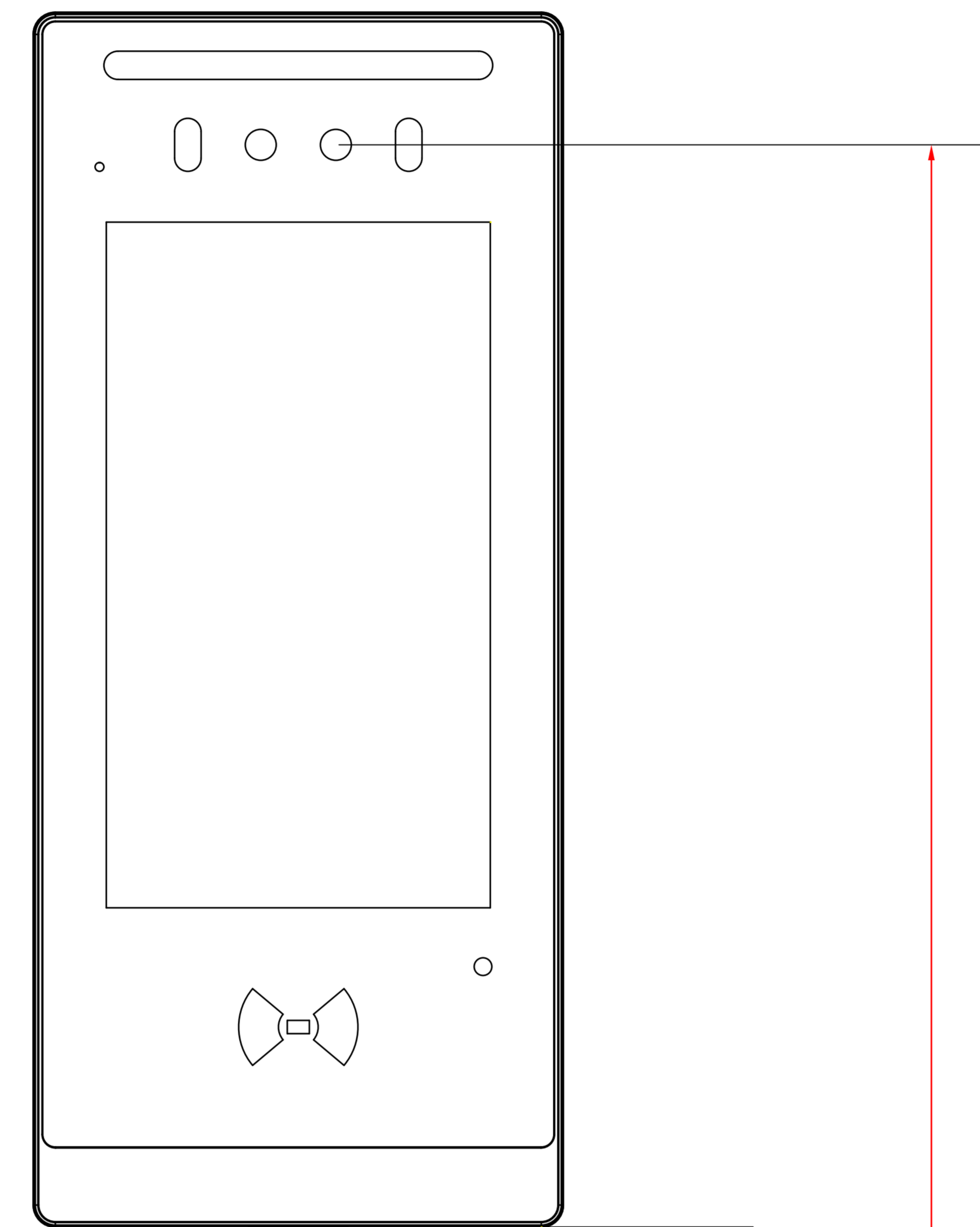
Last Revised
Jul 06 ,2023

Drawing Version
V1.0

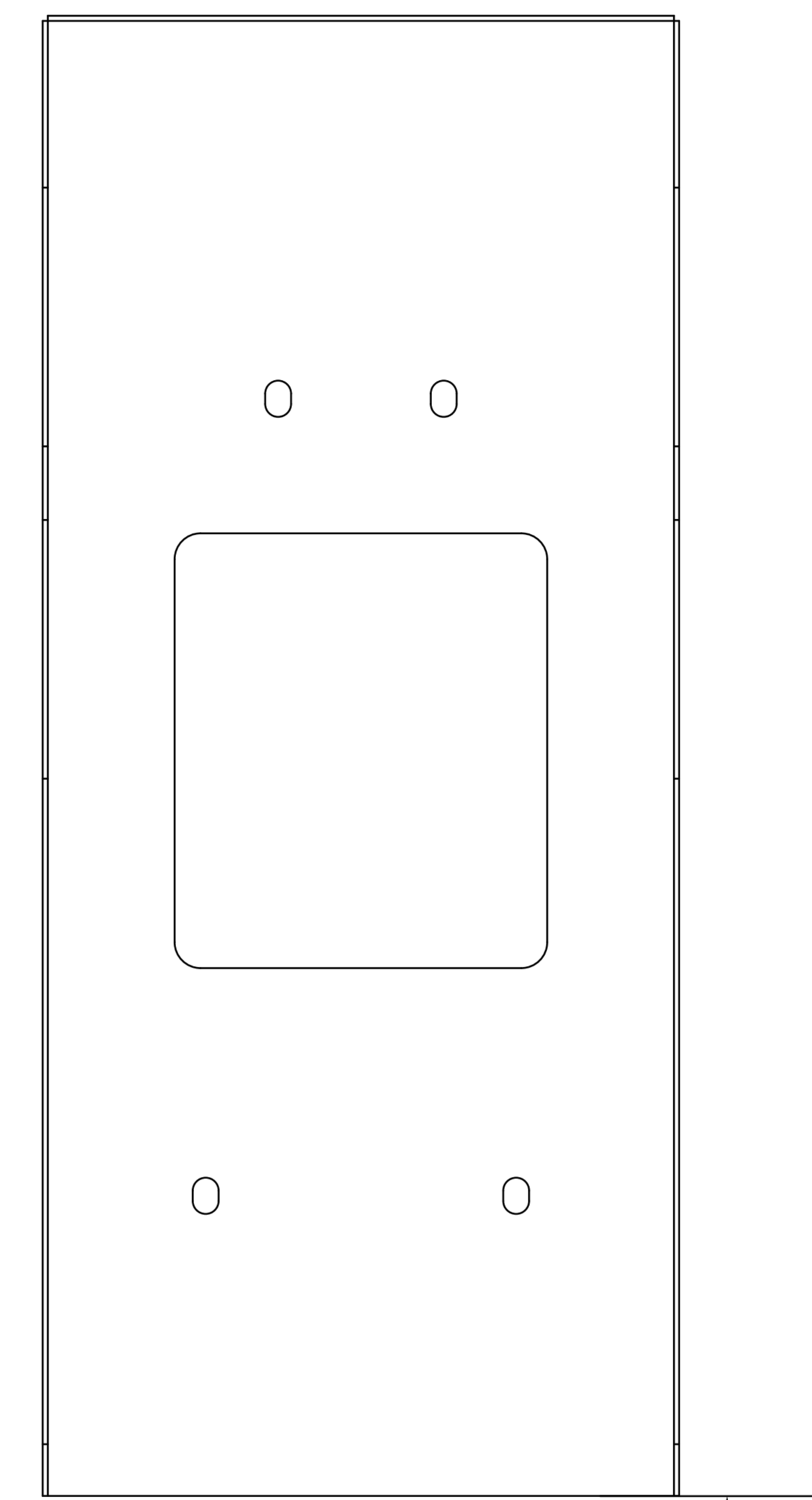
Page
5 of 5



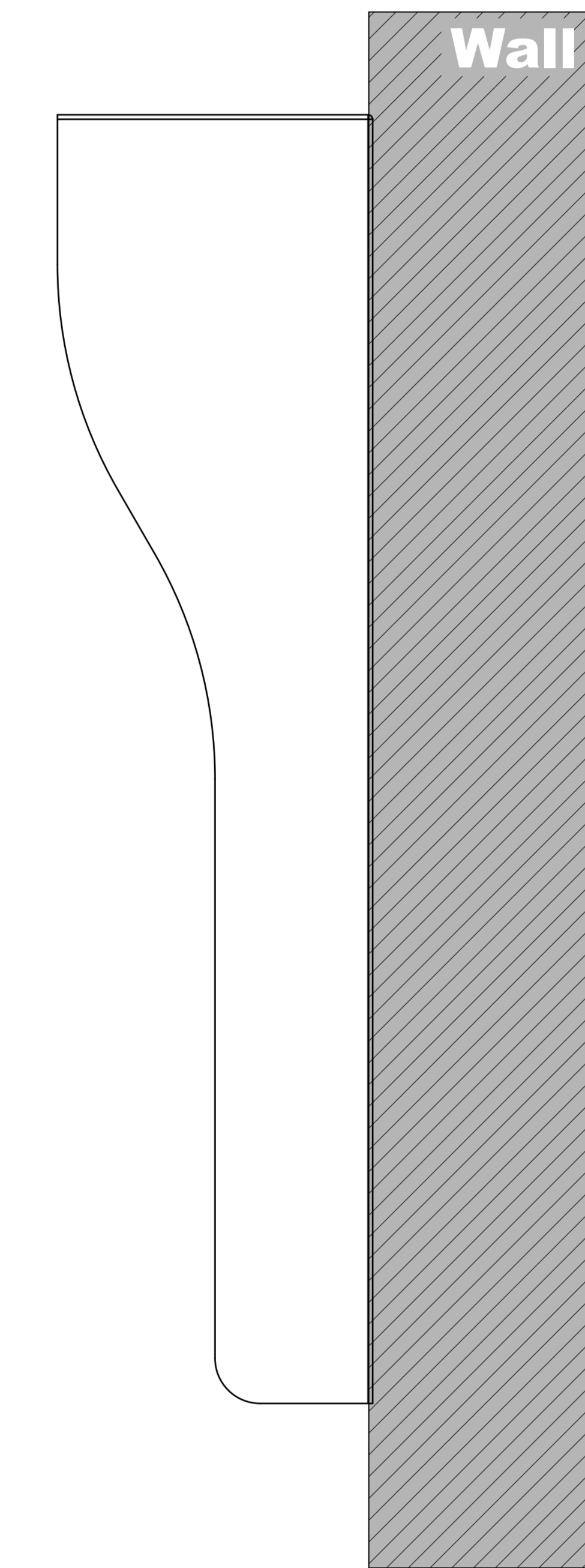
① INTERCOM PANEL FRONT VIEW



② INTERCOM PANEL FRONT VIEW



③ FRONT VIEW:ON-WALL
MOUNTINGRAIN COVER
PLACEMENT



④ SIDE VIEW:INTERCOM ON WALL

1255mm TO BOTTON OF PANEL

1500mm TO CENTER OF CAMERA

1255mm TO BOTTOM OF BRACKET

GROUND

GROUND

Wall